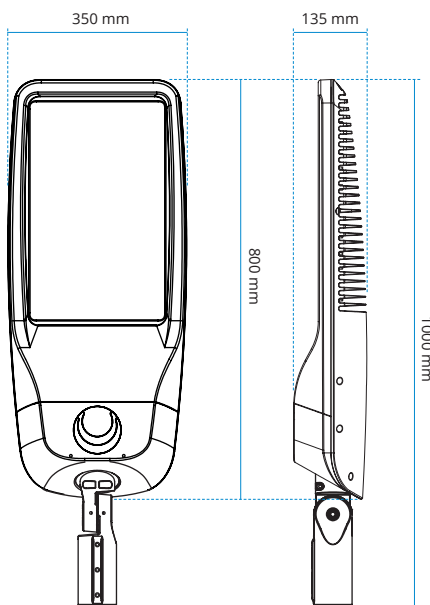


# Model 91 Series

## Datasheet



### Dimensions and weight



Net weight	14.5 kg
Gross weight	16.3 kg
Carton size	1085 × 400 × 190 mm
Glass size:	449 × 289 × 4 mm

### Structure and material

Housing	high-pressure die-cast aluminium
Cover	flat glass, tempered at 200°C
Luminaire ingress protection code	IP66
Driver ingress protection code	IP65
Impact protection code	glass IK08, housing IK10

All materials used in this product are RoHS compatible.

### Electrical

Input voltage and frequency 100-240 V, 50/60 Hz

Protection class IEC Class I

Rated power

Options	Power			
	140W	160W	180W	200W
Standard				
CLO* activated	100W	120W	-	-
DSL** activated	120W	140W	160W	-

Power factor > 0.96

### Performance

Rated luminous flux from 10,000 lm to 20,000 lm (minimal estimated)

Rated luminaire efficacy up to 135 lm/W

Rated colour rendering index and correlated colour temperature

- >70 at 4000-5700 K
- >80 at 3000-3500 K
- >90 at 2700 K

Chromaticity coordinates 5 SDCM (5-step MacAdam ellipse)

Useful life 70,000 hours at 25°C ambient temperature

### Installation and operational conditions

Pole diameter

- with spigot adapter 40-50 mm
- without adapter 50-60 mm

Adjustable tilting angle

- Post top -5° - +95°
- Side entry -95° - +95°

Recommended mounting height 6 - 12 m

Ambient temperature -40°C to +50°C

Storage temperature up to +80°C

Humidity 5-95 %

Wind area up to 0,056 m<sup>2</sup>

Max. project area 0.28 m<sup>2</sup>

\* CLO - Constant Light Output

\*\* DSL - Dimming schedule