

# Model 49 Series

## Installation guide

Prior to performing the installation, please carefully read the below information and follow all safety instructions.

### Warning and caution

Model	Rated power	Input current
Model 49/60W	60W	0.2765A ±5% (230V)
Model 49/80W	80W	0.3644A ±5% (230V)
Model 49/100W	100W	0.4642A ±5% (230V)
Model 49/120W	120W	0.5495A ±5% (230V)

- Cut off the power before the installation to reduce the risk of electric shock
- The working voltage should not exceed the designated range
- The fixture should not be installed near inflammable materials
- Terminal block not included. Installation may require advice from a qualified person.
- Replace any cracked protective shield



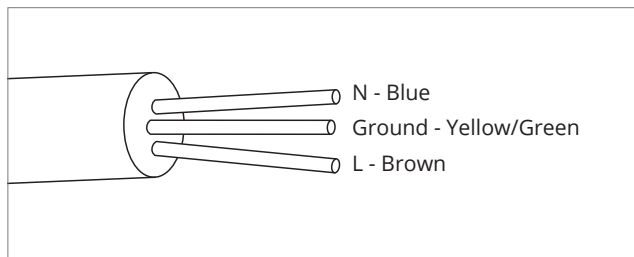
If the supply cable of this luminaire is damaged, it shall be exclusively replaced by the manufacturer or his service agent or a similar qualified person in order to avoid hazard

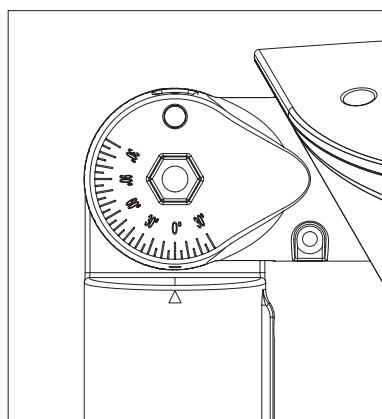
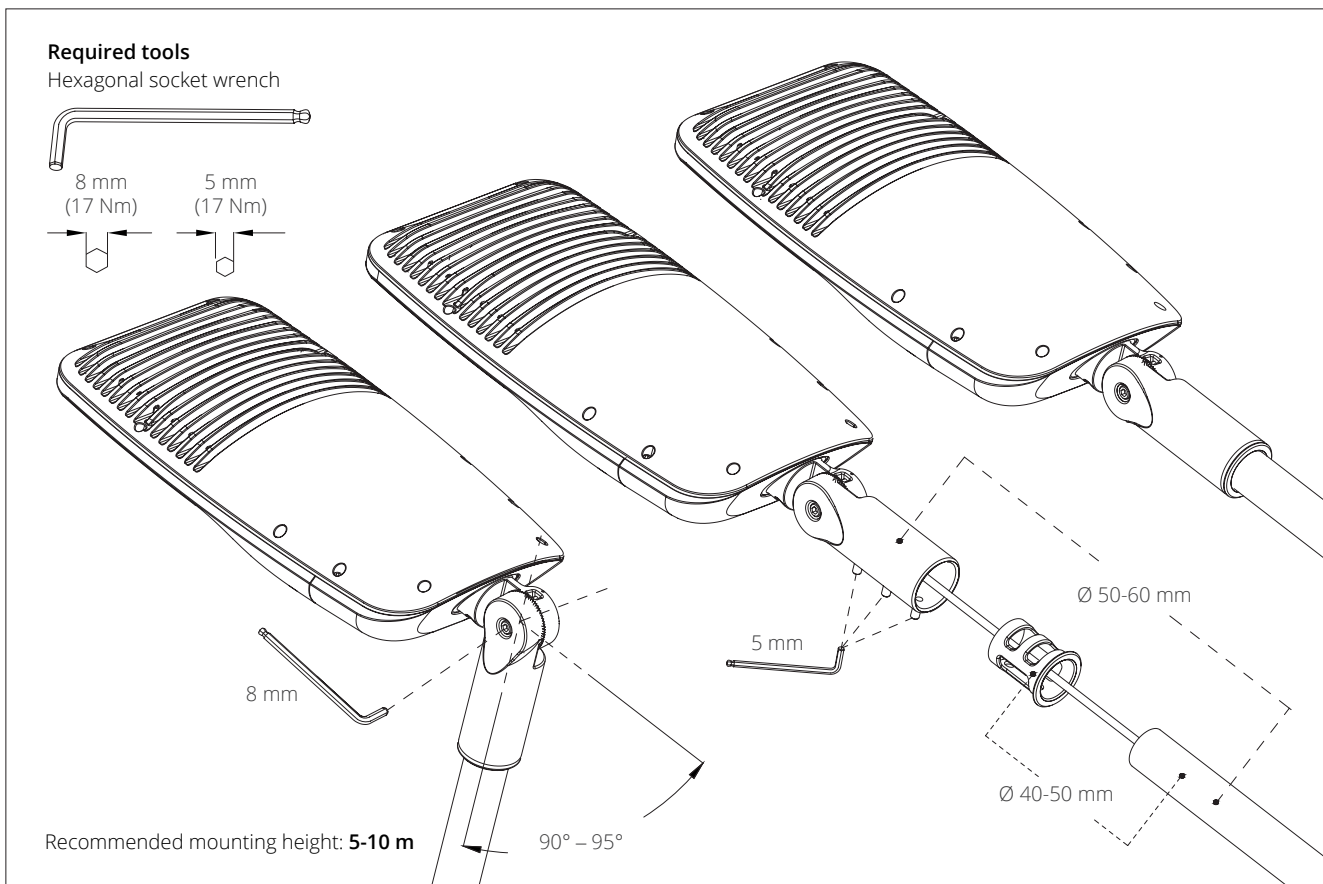


#### Caution, risk of electric shock.

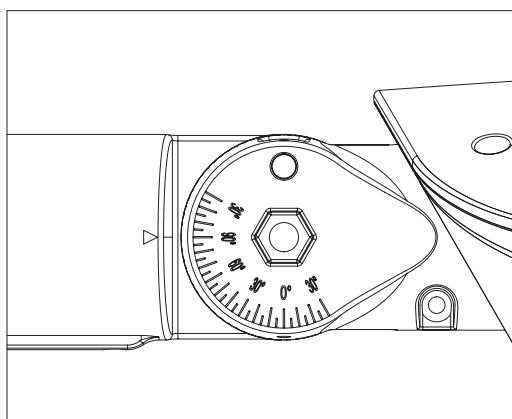
The light source contained in this luminaire shall only be replaced by the manufacturer or his service agent or a similar qualified person

### Power line connection

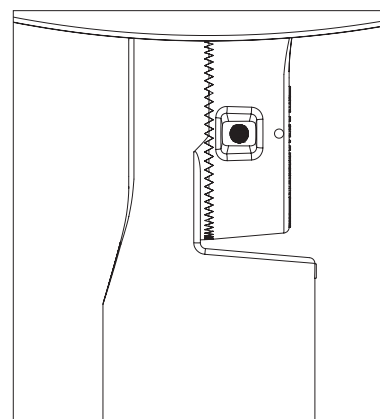




**Top installation**  
Adjust angle of the spigot to 0 degrees



**Console installation**  
Adjust angle of the spigot to 90 degrees



**Bubble leveler**  
To adjust horizontal level (consol used)