

Model 28 Series

Installation guide

Prior to performing the installation, please carefully read the below information and follow all safety instructions.

Warning and caution

Model	Rated power	Input current
Model 28/20W	20W	0.096A ±5% (230V)
Model 28/30W	30W	0.1347A ±5% (230V)
Model 28/40W	40W	0.1787A ±5% (230V)
Model 28/50W	50W	0.2205A ±5% (230V)

- Cut off the power before the installation to reduce the risk of electric shock
- The working voltage should not exceed the designated range
- The fixture should not be installed near inflammable materials
- Terminal block not included. Installation may require advice from a qualified person.
- Replace any cracked protective shield

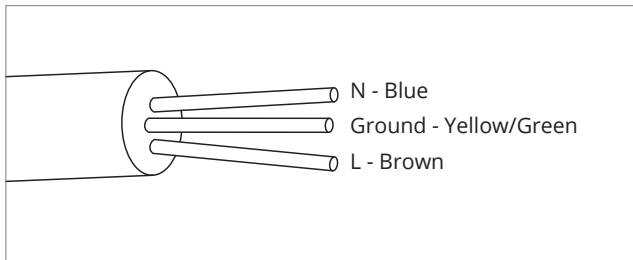


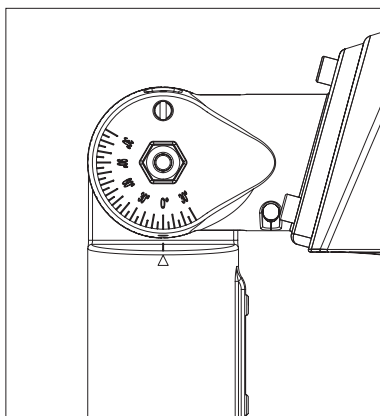
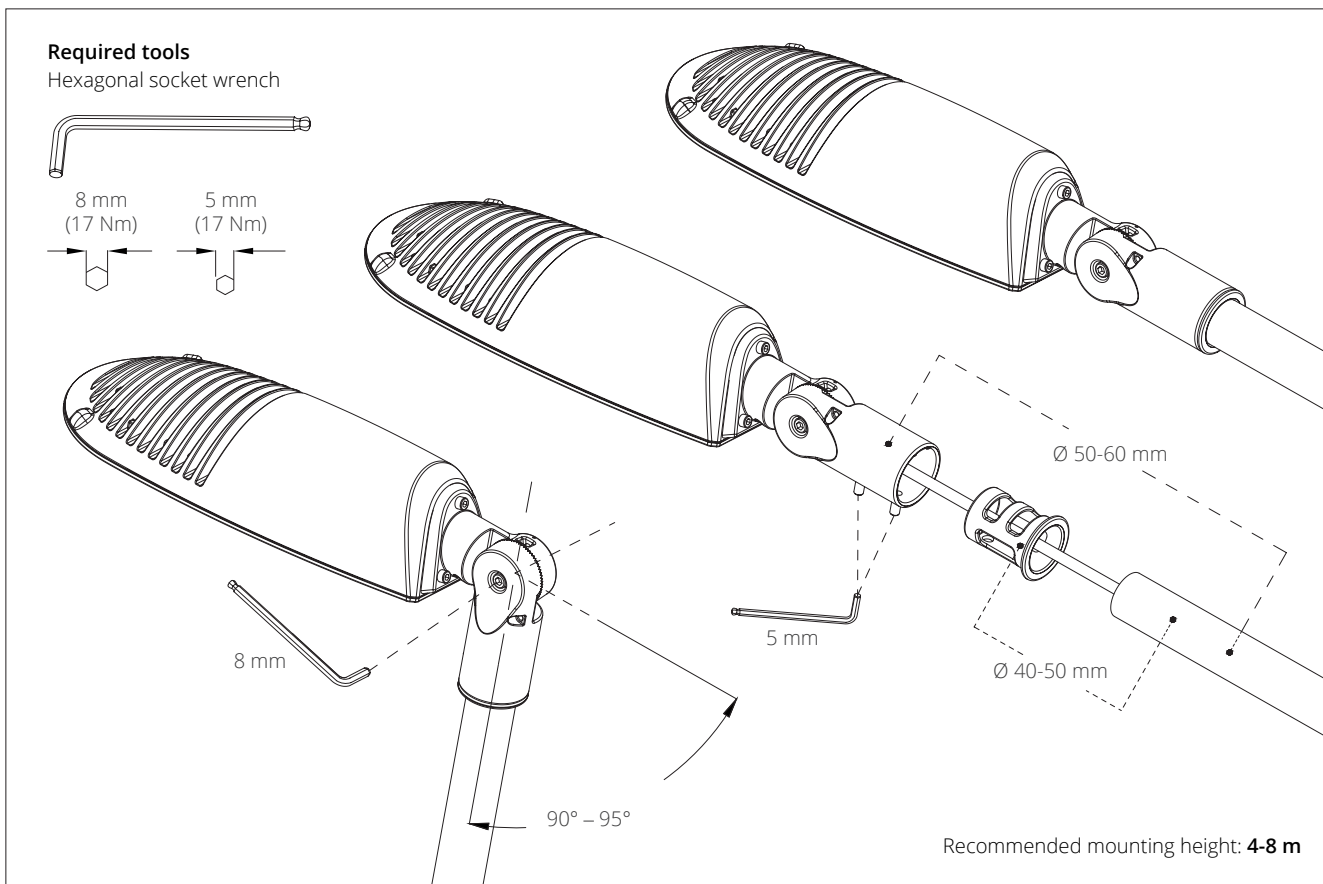
If the supply cable of this luminaire is damaged, it shall be exclusively replaced by the manufacturer or his service agent or a similar qualified person in order to avoid hazard



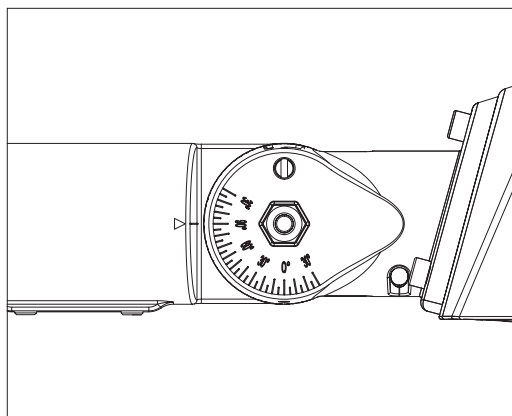
Caution, risk of electric shock.
The light source contained in this luminaire shall only be replaced by the manufacturer or his service agent or a similar qualified person

Power line connection

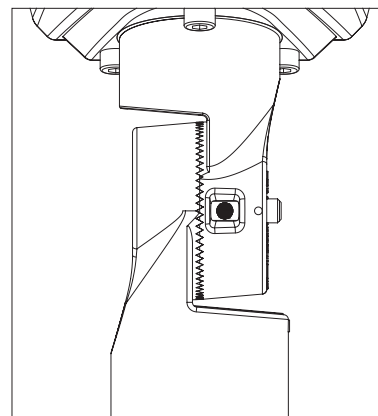




Top installation
Adjust angle of the spigot to 0 degrees



Console installation
Adjust angle of the spigot to 90 degrees



Bubble leveler
To adjust horizontal level (consol used)