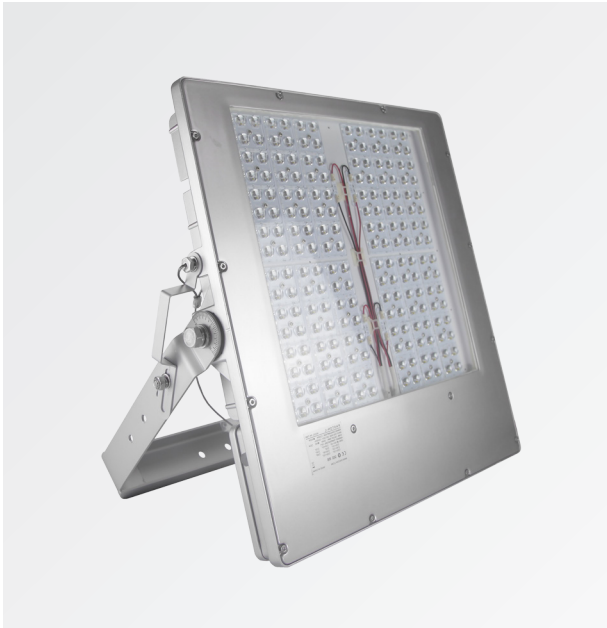


PH-T300N

Datasheet

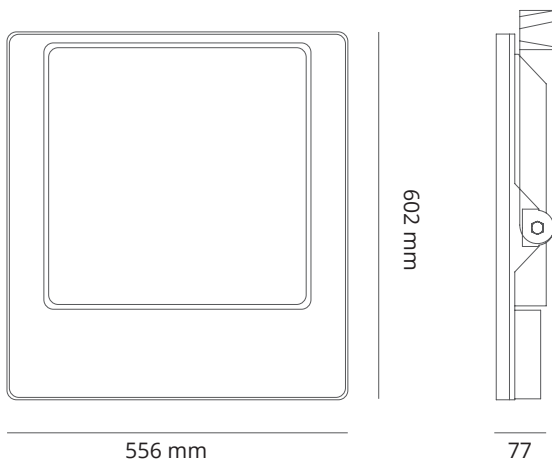


T300N are designed for illumination of large areas with mounting heights of up to 50 meters, e.g. stadiums, indoor sport halls, ice hockey halls, seaports and airports.

Electrical

Input voltage and frequency	100-240 V, 50/60 Hz
Protection class IEC	Class I
Rated power	300 W
Power factor	> 0.96
Other options available	<ul style="list-style-type: none"> • Protection class II • Additional power supply cable • Dimming schedule • CLO (Constant Light Output) activation • Surge protection

Dimensions and weight



Net weight	22.1 kg
Gross weight	24.8 kg
Carton size	755 × 715 × 170 mm

Installation

Adjustable tilting angle	-90°, 0° and 90°
Recommended mounting height	10 - 50 m
Holder	Withstands maximum weight load of 80 kg. Wind resistance load is up to 216 km/h (60 m/s) at any position of the floodlight.

Performance

Rated luminous flux (estimated)	30,000 lm
Rated luminaire efficacy	up to 115 lm/W
Rated colour rendering index and correlated colour temperature	<ul style="list-style-type: none"> • >70 at 4000-5700 K • >80 at 3000-3500 K • >90 at 2700 K
Useful life	70,000 hours at 25°C ambient temperature

Structure and material

Housing	high-pressure die-cast aluminium
Cover	flat glass, tempered at 200°C
Luminaire ingress protection code	IP66
Driver ingress protection code	IP67
Impact protection code	glass IK08, housing IK10

All materials used in this product are RoHS compatible.

Environment

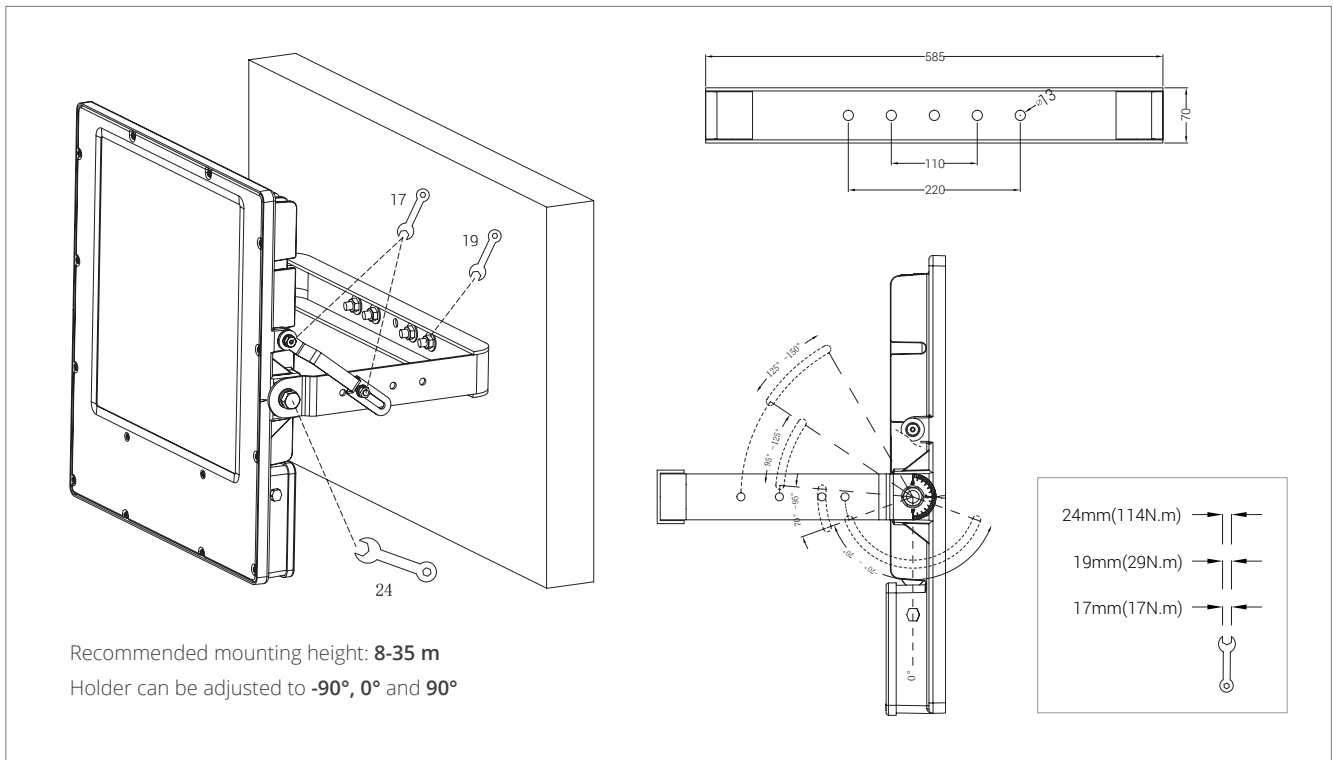
Ambient temperature	-40°C to +50°C
Storage temperature	up to +80°C
Humidity	5-95 %
Wind area	up to 0,335 sq.m.

PH-T300N

Installation guide

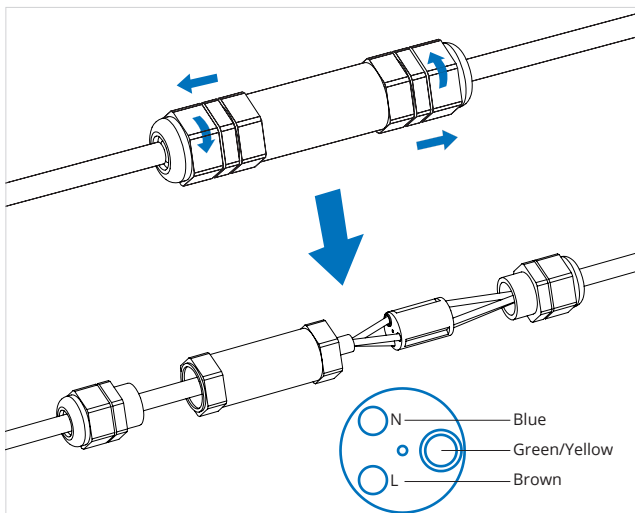


Prior to performing the installation, please carefully read the below information and follow all safety instructions.



Recommended mounting height: **8-35 m**
 Holder can be adjusted to **-90°, 0° and 90°**

Power line connection



1. Release the nuts on the waterproof case and take the connecting terminal out.
2. Use a slotted screwdriver to release the screws and respectively connect the N null line (blue wire), L live line (brown wire) and grounding line (yellow/green wire). Lock the screws.
3. Put the connection terminal into waterproof case and fasten the nuts.

Warning and caution

- Cut off power before the installation. Risk of electric shock.
- All servicing should be performed by qualified personnel only.
- To avoid electrical overload, total connected lamp load (factory and field installed) should not exceed output rating
- Shut off AC power to branch circuits to which units will be connected. All wiring should be per N.E.C. Articles 501-4(b) and local codes.
- Equipment should be mounted in locations and at heights where it will not be readily subjected to tampering by unauthorized personnel.
- The use of any accessory equipment not provided by the manufacture is not recommended as it may cause unsafe conditions.
- Do not use this equipment for other than intended use.
- Do not let supply cords come in contact with hot surfaces.
- Do not mount near gas or electric heaters.