

HIGH-BAY LED LAMP

PRODUCT CODE: PH-HBL-50W-22



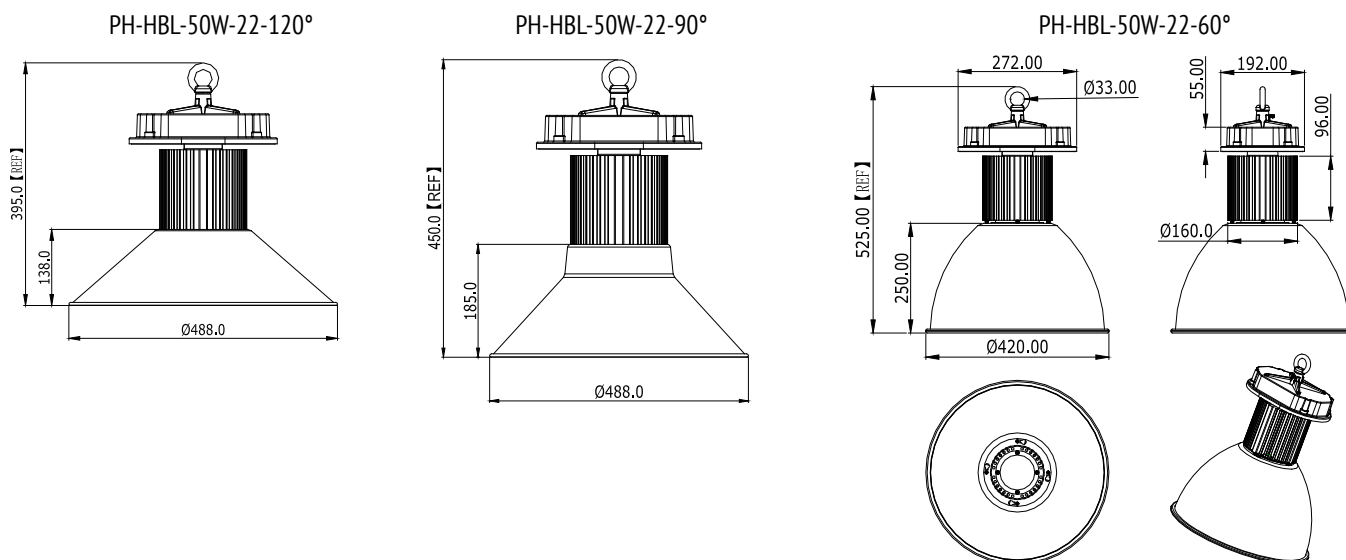
Suitable for warehouses, production and logistics workshops, retail stores, indoor stadiums, hockey holls, amusement parks and public places, and other industrial and commercial lighting purposes.



PHOTOELECTRIC SPECIFICATIONS

Item	Input Voltage	Input Frequency	Consumption	Power Factor	Lamp Flux	Lamp Efficiency	Luminaire flux	Luminaire Efficiency	Angle	Nett weight
PH-HBL-50W-22	AC100-277V	50/60Hz	52W	>0.9	5120Lm	98Lm/W	4112Lm	79Lm/W	60°	4.29 kg
PH-HBL-50W-22	AC100-277V	50/60Hz	52W	>0.9	5120Lm	98Lm/W	4503Lm	87Lm/W	90°	4.29 kg
PH-HBL-50W-22	AC100-277V	50/60Hz	52W	>0.9	5120Lm	98Lm/W	4608Lm	89Lm/W	120°	4.29 kg

DIMENSIONS



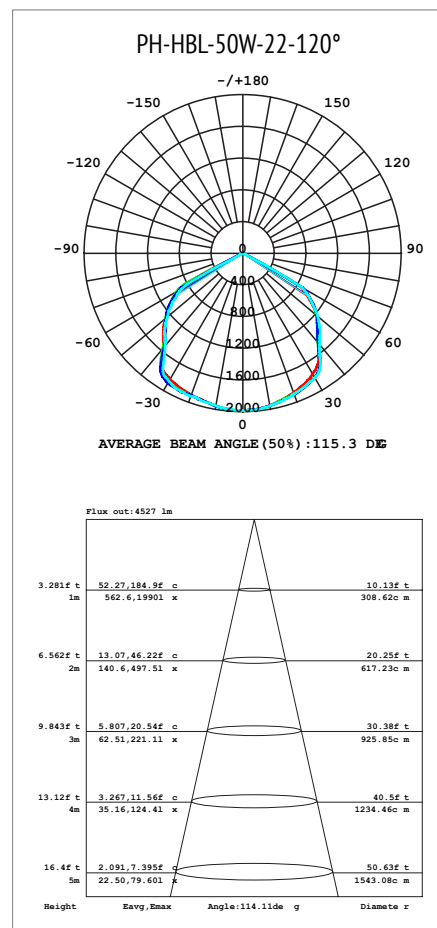
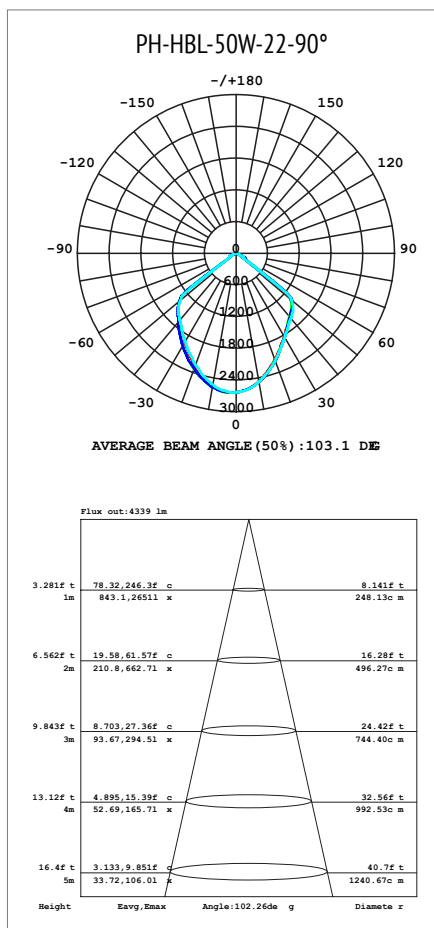
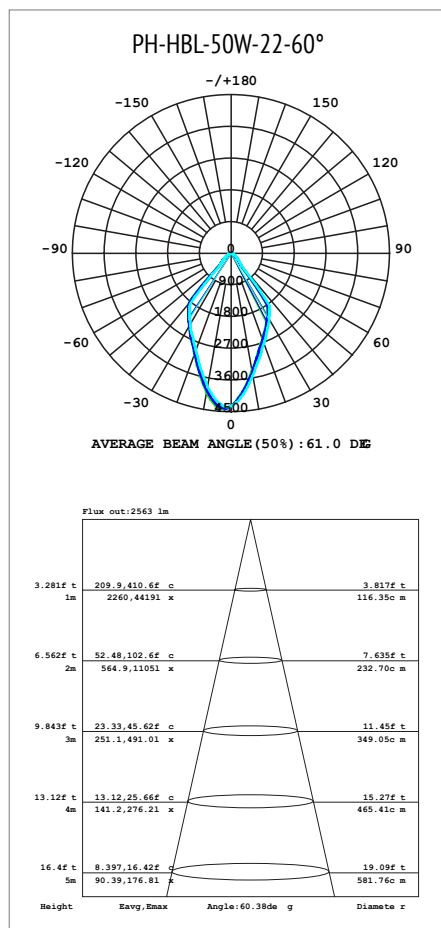
LIGHT SOURCE SPECIFICATIONS

LED type	Epistar
Color Accuracy (CRI)	CRI>70
Color Temperature	WW(3000-3500K) NW (4000-4500K) CW(5000-6500K)

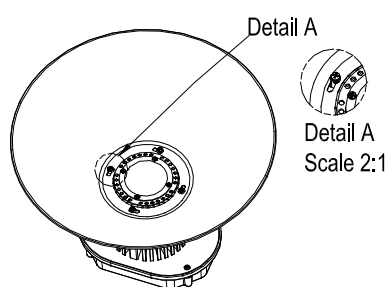
ENVIRONMENT SPECIFICATIONS

Operational Temperature Range	-20°C ~ +50°C
Preservation Temperature Range	-40°C ~ +60°C
Operational Humidity Range	95% Rh or below (@-20°C~50°C)
Installation Area	indoor and outdoor: IP65
Lifespan	>35,000 hours
Warranty period	3 years

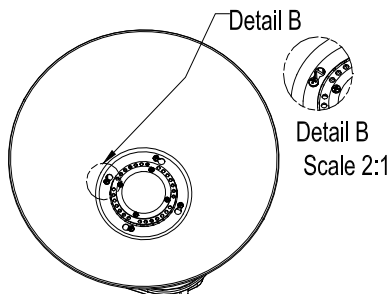
OPTICAL SPECIFICATIONS



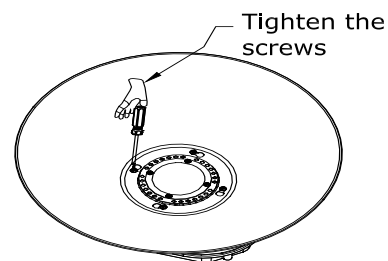
ISNTALLATION



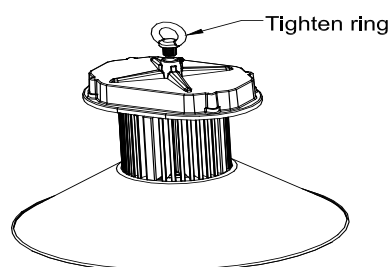
Step 1. First make reflector aligned with screws bit



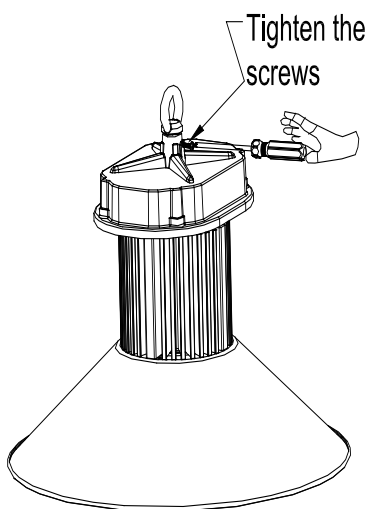
Step 2. Make reflectors anti-twist, and let the screw stuck the reflectors



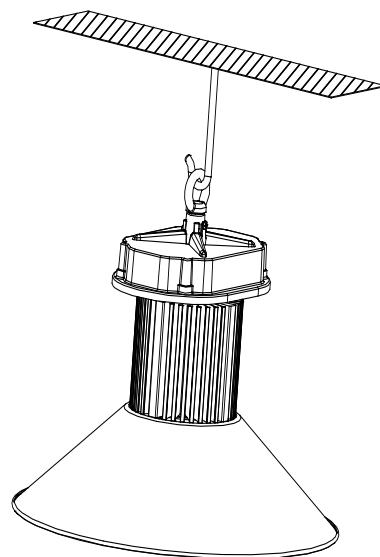
Step 3. Use screwdriver to tight the reflector



Step 4. Assembly the ring on the lamp



Step 5. Use screw to fix the ring



Step 6. Hang on the lamp on the roof of the hook

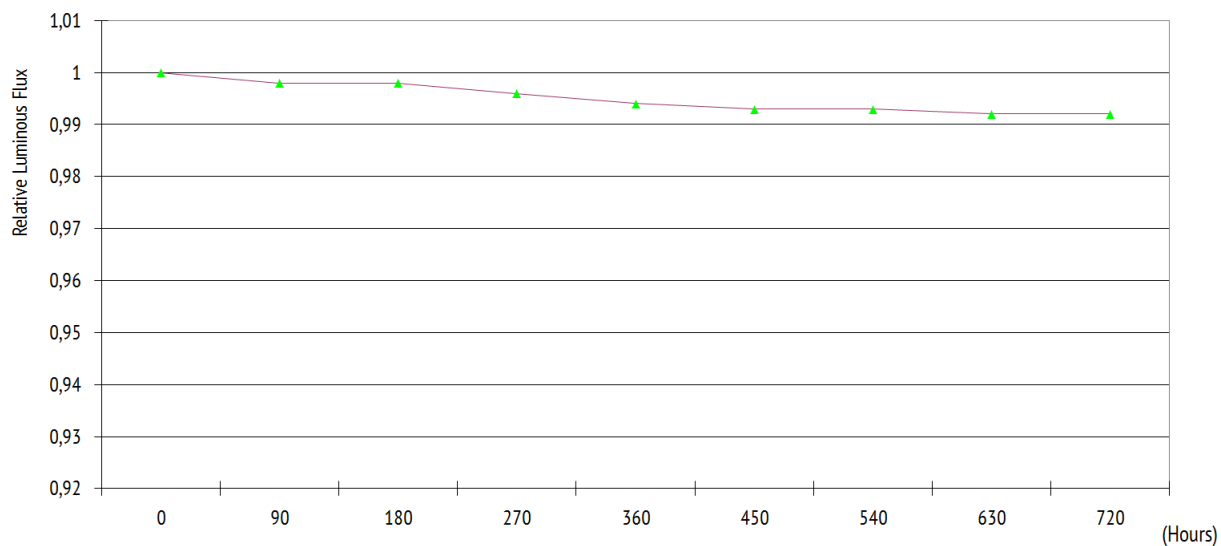
PACKING SPECIFICATIONS

Item	Box			Carton		
	Measurement (mm)	Gross weight	pcs/box	Measurement (mm)	Gross weight	pcs/carton
PH-HBL-50W-22	L250*W250*H270	4.8 кг	1	L540*W540*H300	20.5 кг	4
Reflector 120°	-	-	-	L515*W520*H200	5.3 кг	8
Reflector 90°	-	-	-	L515*W520*H360	5.6 кг	8
Reflector 60°	-	-	-	L515*W520*H360	5.6 кг	8

Remarks:

1. White light series: WW (3000-3500K) NW (4000-4500K) CW (5000-6500K)
2. Luminous flux tolerance for ±10%
3. Products shall be subject to any changes without prior notices.

LIGHT ATTENUATION MAP



ATTENTION!

1. Please turn off the power supply before installation or changing assembly parts.
2. The input voltage and the lamp should be adapted. After connecting the power line, please make sure the wiring section is insulated.
3. Non-professionals, must not install or dismantle the lamps.
4. All the floodlights during installation and in use should not be put with glass cover vertically upside.